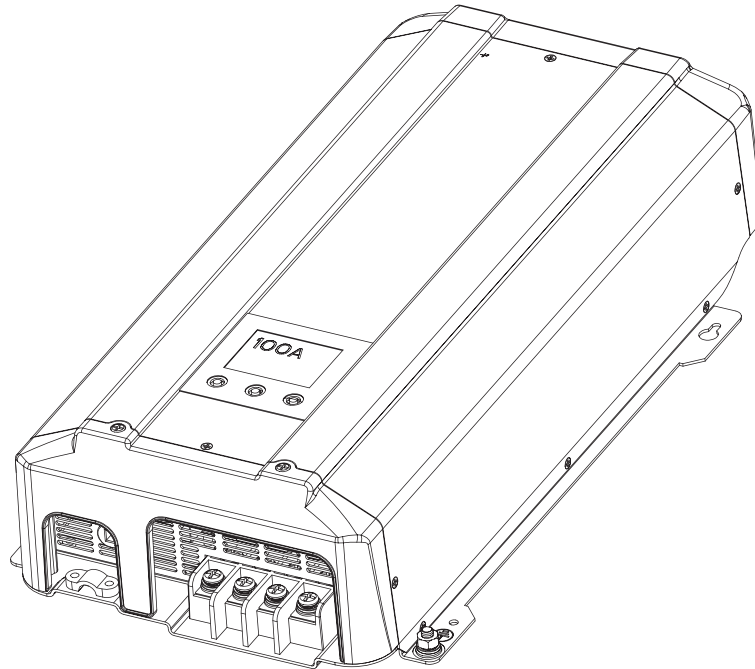




WP-BC Battery Chargers Supreme Series 100 A

Marine | Mobile | Land | 12 V 100 A



Features and Benefits

- Multi -stage charging
- 3-Bank charging capability with user selectable priority setting
- Variable battery type settings including Gel, Flooded, AGM, and Lithium
- Priority bank charging capability ensures main battery charges
- Charges up to three battery banks simultaneously•
Silent mode offers quiet operation near sleeping quarters
- Simple to install
- Remote ON/OFF panel (accessory sold separately)
- Compact size for easy storage
- Safety tested & Regulatory Approved to CE and ETL standards.

Technology

- Switched mode technology

Main Specifications

CHARGER OUTPUT	
Art. Nr.	61112310
Maximum charging current	100 A
Output voltage range:	
Bulk	14.2 .. 15,5 V
Float charge	13.4 .. 13.8 V
Equalization	16.0 V
Charge characteristic	Three step (bulk/absorption/float)
Number of DC outputs	Three - each output can be selected individually, 20 A → 1 output
Selectable battery type	GEL, AGM, Lithium and open lead acid
Leakage current	< 2mA
CHARGER INPUT	
Input voltage (nominal)	120, 230, 240 VAC
Input voltage tolerance	90 .. 265 VAC
Input frequency range	47 .. 63Hz
Power consumption (full load)	1800 W
Power factor correction	Yes
Charge efficiency	> 84%



WP-BC Battery Chargers Supreme Series 100 A

Application Data 1

PROTECTION AND FEATURES

Reverse battery current plus/min	Yes, device shuts down
Overload	Yes, device shuts down
Overheating	Yes, device reduces charger power and shuts down
Short circuit output power	Yes, device shuts down
Cooling	Mechanical
Temperature sensor port	RJ12 (use of optional)
Digital display port	RJ12 (use of optional)

DISPLAY

LCD Display (with back lighting)	Charging status, battery voltage
Warning and fault code	E01-09

AC AND BATTERY CONNECTIONS

AC input connection	Hardwired or AC Cord
DC input connection	Heavy duty threaded screws (for 3 batteries)
DC output (min)	Shared, heavy duty threaded screws

AMBIENT AND OPERATING TEMPERATURE

Storage temperature	-40°C .. 70°C
Operating temperature	-20°C .. 60°C
Relative humidity	5-95%, non-condensing
International Protection rating	IP32 (24/20 IP65)

WEIGHT AND DIMENSIONS

Weight	6.4 kg
Dimensions (mm)	425 x 236 x 103



Technical Drawing

