



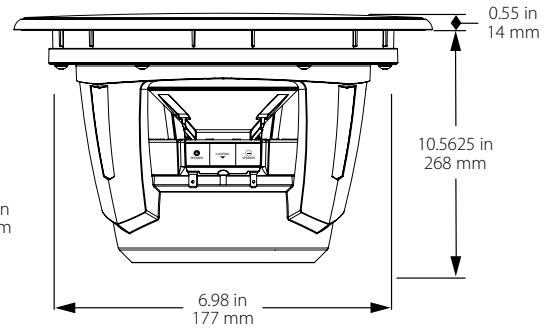
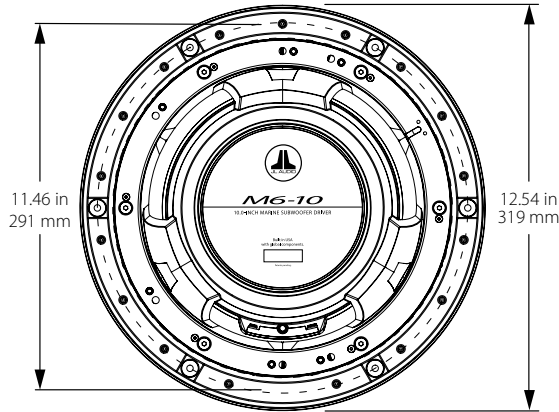
M6-10IB-L

MARINE SUBWOOFER WITH LUXE GRILLE

OWNER'S MANUAL

M6-10IB-L

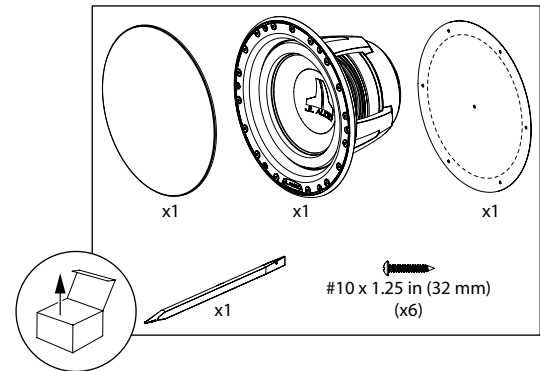
MARINE SUBWOOFER WITH LUXE GRILLE



13.20 lbs / 6.00 kg

0.099 ft³ / 2.80 L

Subwoofer Parameters	M6-10IB-L
Fs:	43.76 Hz
Qes:	0.907
Qms:	11.315
Qts:	0.840
Vas:	0.98 ft ³ / 27.75 L
Xmax:	0.52 in / 13.2 mm
Efficiency (1W/1m):	86.1 dB SPL
Sd:	50.11 in ² / 0.0323 m ²
Re:	4.543 Ω
Nominal Impedance:	4 Ω
Infinite Baffle Use:	Yes
Enclosure Use:	Yes (Sealed & Ported)
Power Handling (RMS):	250W



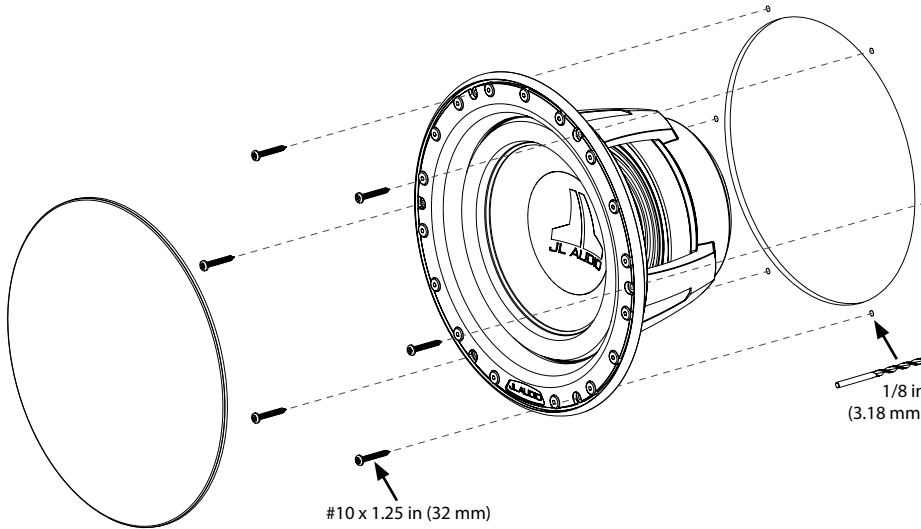
!! CAUTION

- Mount securely to prevent release during normal use or a collision event.
- Do not mount in areas of extreme heat or hot air.
- Do not submerge or subject to high-pressure water spray.
- Wash with mild soap and rinse with freshwater only.

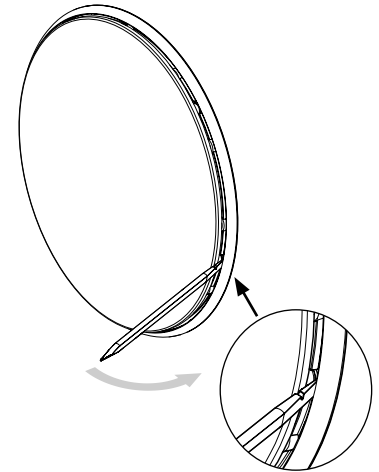
M6-10IB-L

MARINE SUBWOOFER WITH LUXE GRILLE

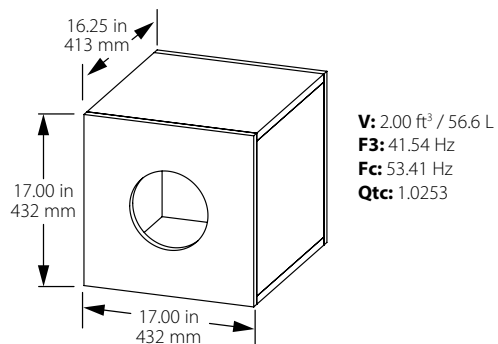
Typical Installation



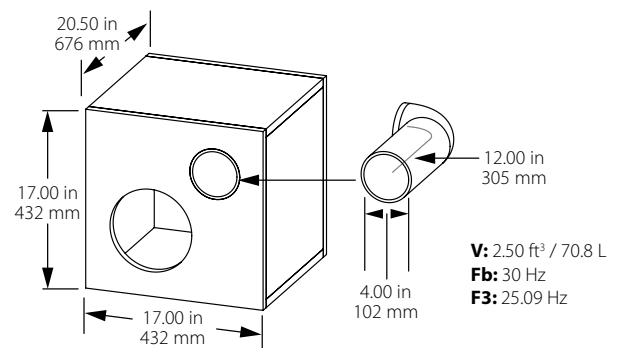
Grille Removal



Recommended Sealed Design



Recommended Ported Design



NOTE:

- Enclosure material thickness: 3/4 in (19 mm)
- Enclosure volumes (V) listed are NET internal!
- Final gross internal volume of enclosure dimensions include displacement of driver, port and bracing.

JL AUDIO LIMITED WARRANTY (USA)
Marine Subwoofer Components

JL AUDIO warrants this speaker to be free of defects in materials and workmanship for a period of **two (2) years** from the original date of purchase.

This warranty is not transferable and applies only to the original purchaser of the product from an authorized JL AUDIO dealer. Warranty is voided if the factory-applied product serial number is removed or defaced.

Damage caused by the following is not covered under warranty: accident, misuse, abuse, product modification or neglect, failure to follow installation instructions, unauthorized repair attempts, misrepresentations by the seller. This warranty does not cover incidental or consequential damages and does not cover the cost of removing or reinstalling the unit(s). Cosmetic damage due to accident or normal wear and tear is not covered under warranty.

Should service be necessary under this warranty for any reason due to manufacturing defect or malfunction, JL AUDIO will, at its discretion, repair or replace the defective product with new or remanufactured product at no charge.

Products installed as original equipment by boat manufacturers are covered by the boat manufacturer's warranty, not JL Audio, Inc.

Any applicable implied warranties are limited in duration to the period of the express warranty as provided herein beginning with the date of the original purchase at retail, and no warranties, whether express or implied, shall apply to this product thereafter. Some states do not allow limitations on implied warranties, therefore these exclusions may not apply to you. This warranty gives you specific legal rights, and you may also have other rights which vary from state to state.

If you need service on your JL AUDIO product:

All warranty returns should be sent to JL AUDIO freight prepaid through an authorized JL AUDIO dealer and must be accompanied by proof of purchase (a copy of the original sales receipt.) Direct returns from consumers or non-authorized dealers will be refused unless specifically authorized by JL AUDIO with a valid return authorization number. Warranty expiration on products returned without proof of purchase will be determined from the manufacturing date code. Coverage may be invalidated as this date is previous to purchase date. Return only defective components. Non-defective items received will be returned freight-collect. Customer is responsible for shipping charges and insurance in sending the product to JL AUDIO. Freight damage on returns is not covered under warranty. Always include proof of purchase (sales receipt).

For Service Information in the U.S.A. please contact:

JL Audio Customer Service: (954) 443-1100 (9:00 AM - 5:00 PM EST)

JL Audio Technical Support: www.jlaudio.com/support

JL Audio, Inc.

10369 North Commerce Parkway

Miramar, FL 33025

International Warranties:

Products purchased outside the United States of America are covered only by that country's distributor and not by JL Audio, Inc.



Product images shown are for illustrative purposes only and may differ from the actual product. Due to continuous product development, all specifications are subject to change without notice.