

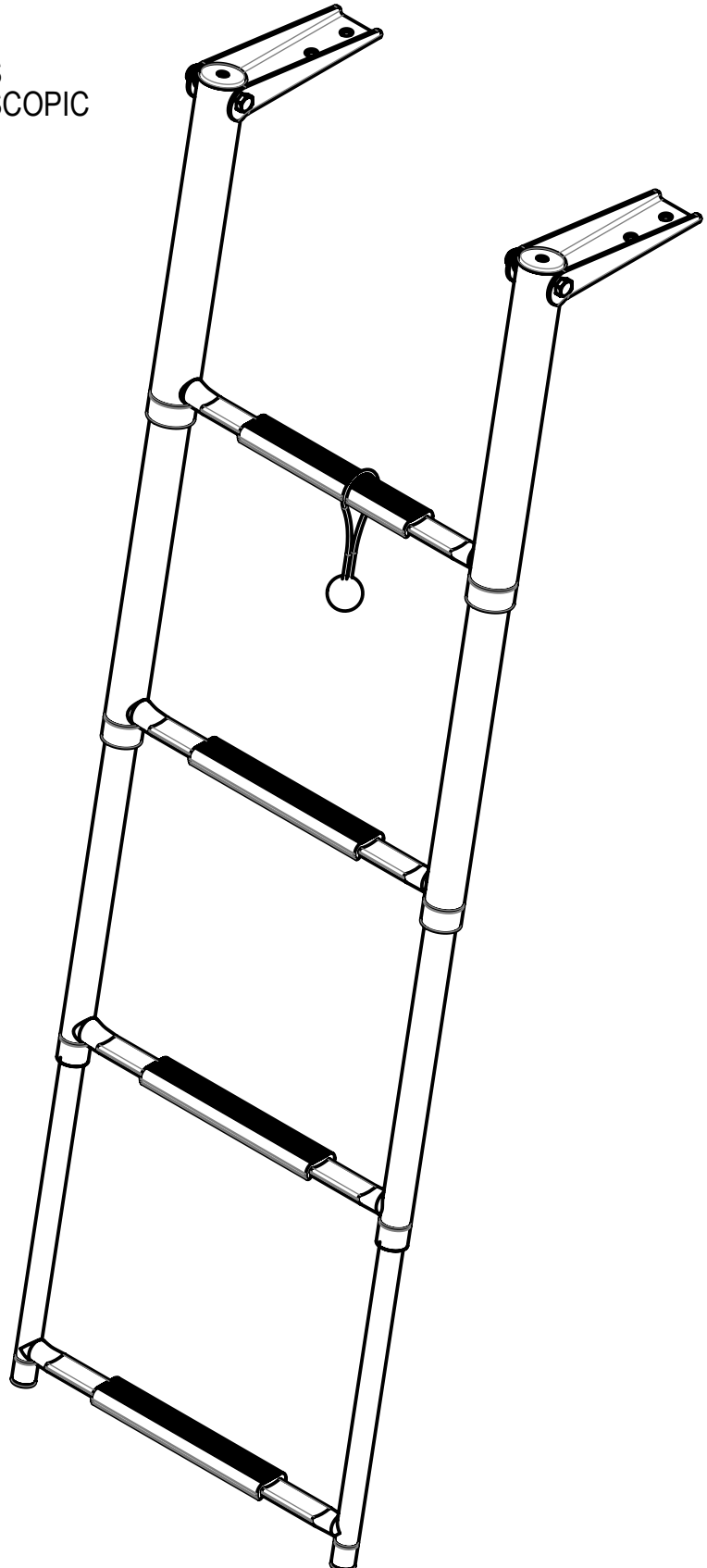
## Swim ladder, SS316, 4 steps with synthetic black grips, telescopic transom mounted

### MAIN PRODUCT MATERIALS:

- METAL PARTS MADE FROM MIRROR POLISHED STAINLESS STEEL
- SYNTHETIC BLACK RINGS AND END CAPS
- ELASTIC BLACK CORD, TO KEEP THE STEPS IN A RETRACTED POSITION

### MAIN SPECIFICATIONS:

- 270 DEG. ROTATABLE STAIRS
- 1160 mm EXTENDABLE TELESCOPIC TUBES (TOTAL LENGTH)
- STEPS COVERED WITH BLACK SYNTHETIC GRIPS
- MAXIMUM LOAD = 300kg





# Overall Dimensions

18-15546

SLT4AW

Swim ladder, SS316, 4 steps with synthetic black grips, telescopic transom mounted

