

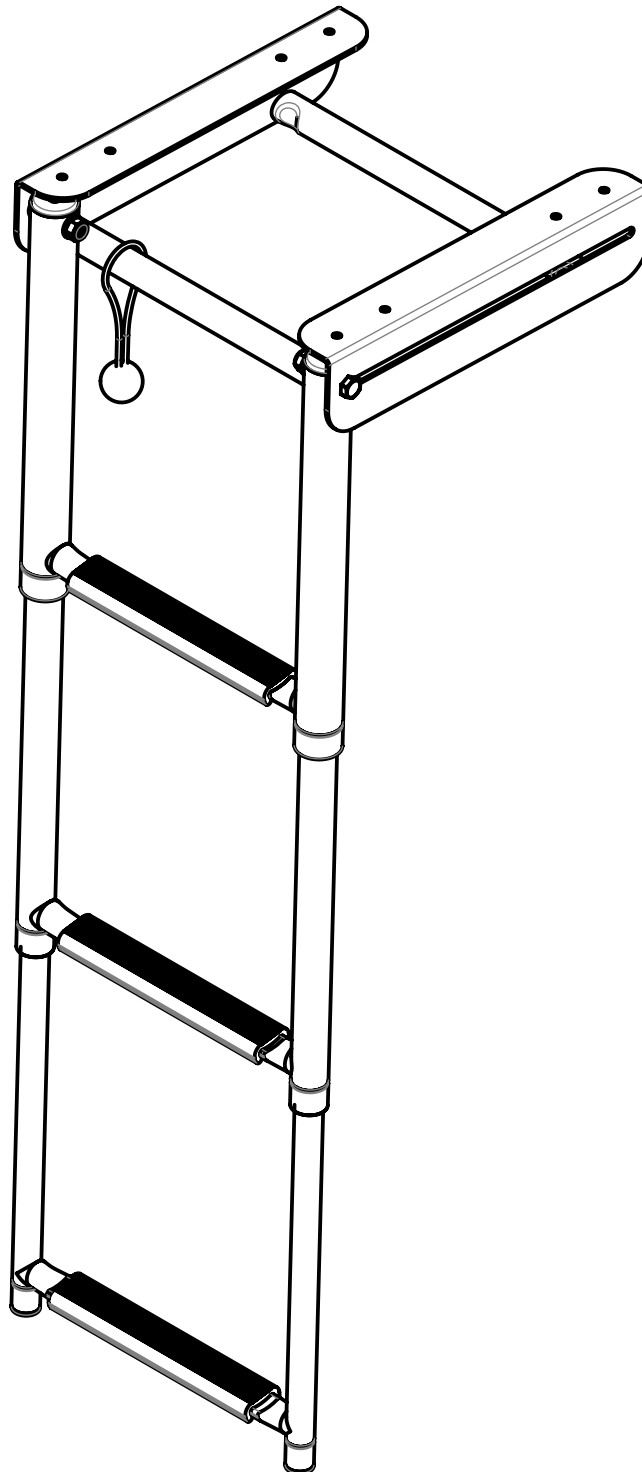
Swim ladder, SS316, 3 steps with synthetic black grips, telescopic platf. mounted

MAIN PRODUCT MATERIALS:

- METAL PARTS MADE FROM MIRROR POLISHED STAINLESS STEEL
- SYNTHETIC BLACK RINGS AND END CAPS
- ELASTIC BLACK CORD, TO KEEP THE STEPS IN A RETRACTED POSITION

MAIN SPECIFICATIONS:

- 90 DEG. ROTABLE STAIRS
- 875 mm EXTENDABLE TELESCOPIC TUBES (TOTAL LENGTH)
- STEPS COVERED WITH BLACK SYNTHETIC GRIPS
- MAXIMUM LOAD = 300kg



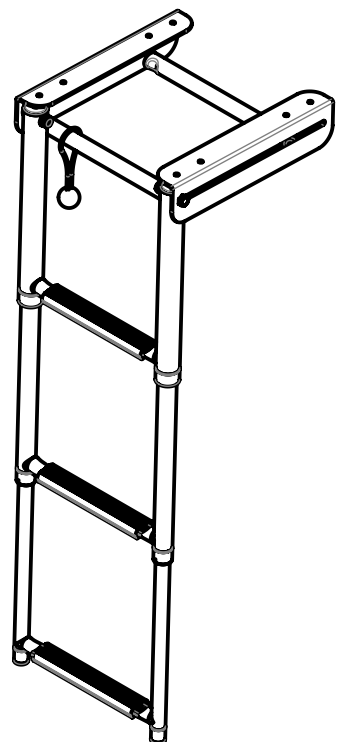
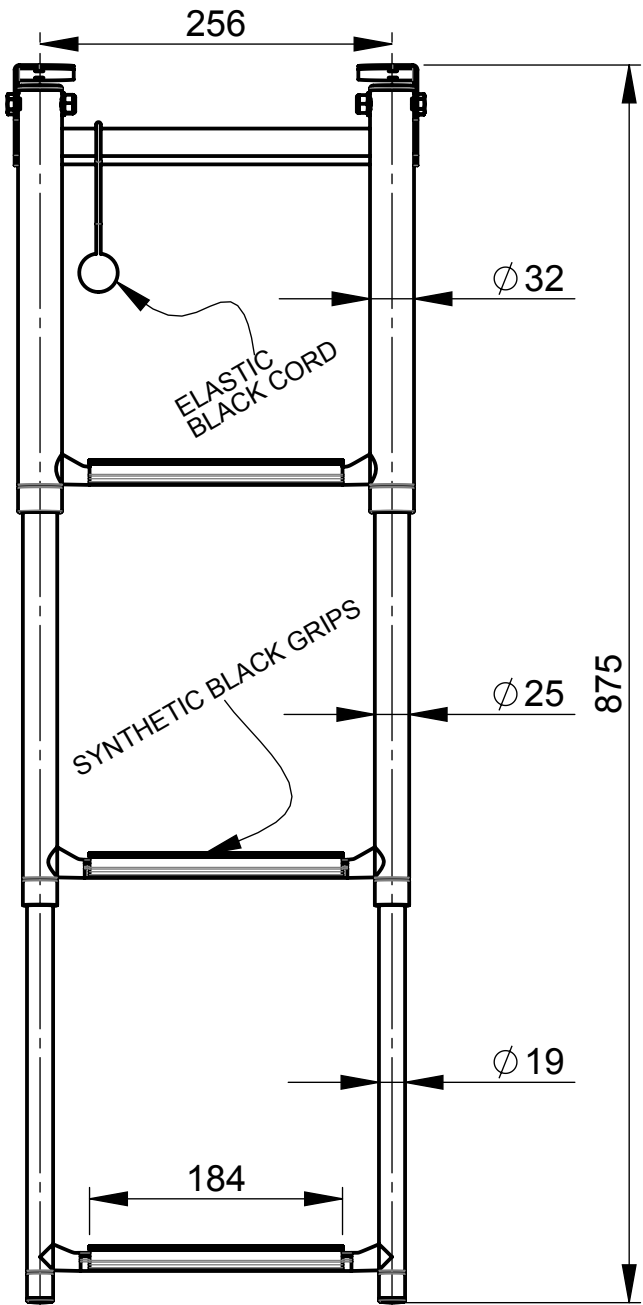
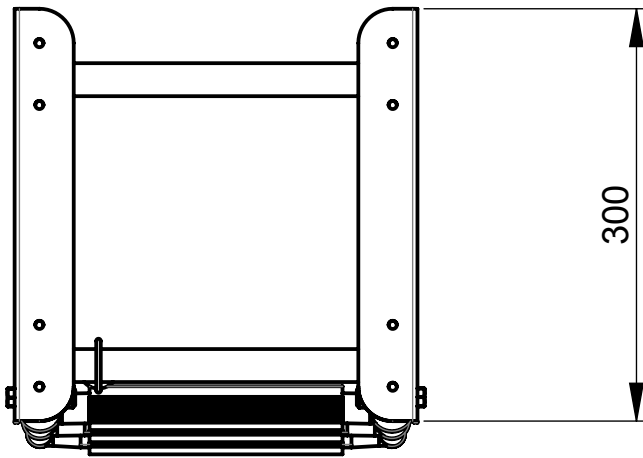


Overall Dimensions

18-15560

SLT3PA

Swim ladder, SS316, 3 steps with synthetic black grips, telescopic platf. mounted



- RETRACTED LENGTH: 370mm