

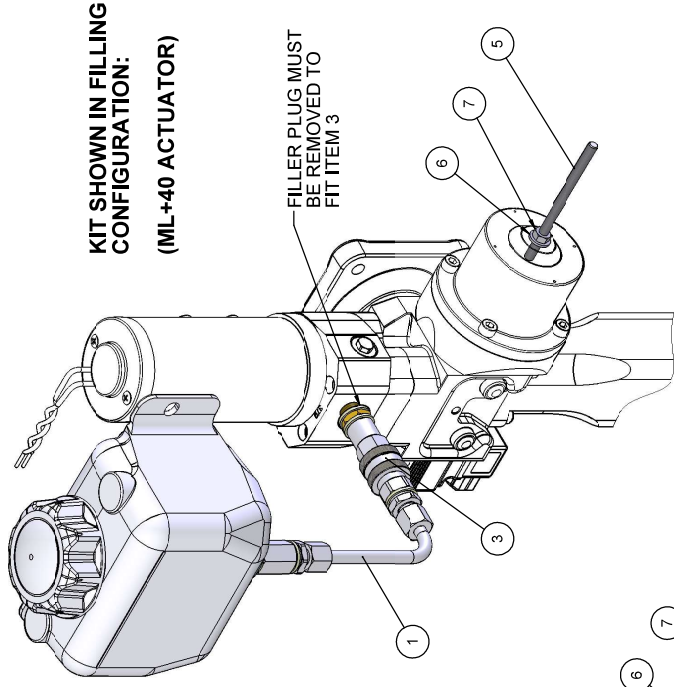
RELEASED DRAWING

PROVISIONAL - DRAWING FOR REVIEW ONLY NOT FOR MANUFACTURING PURPOSES
PHOTOCOPY - DRAWING OR MAIL PHOTOGRAPH BATHES
RELEASED - DRAWING FOR PRODUCTION BATCHES

A3

THIRD ANGLE PROJECTION

SEE R4051-i FOR FILLING INSTRUCTIONS

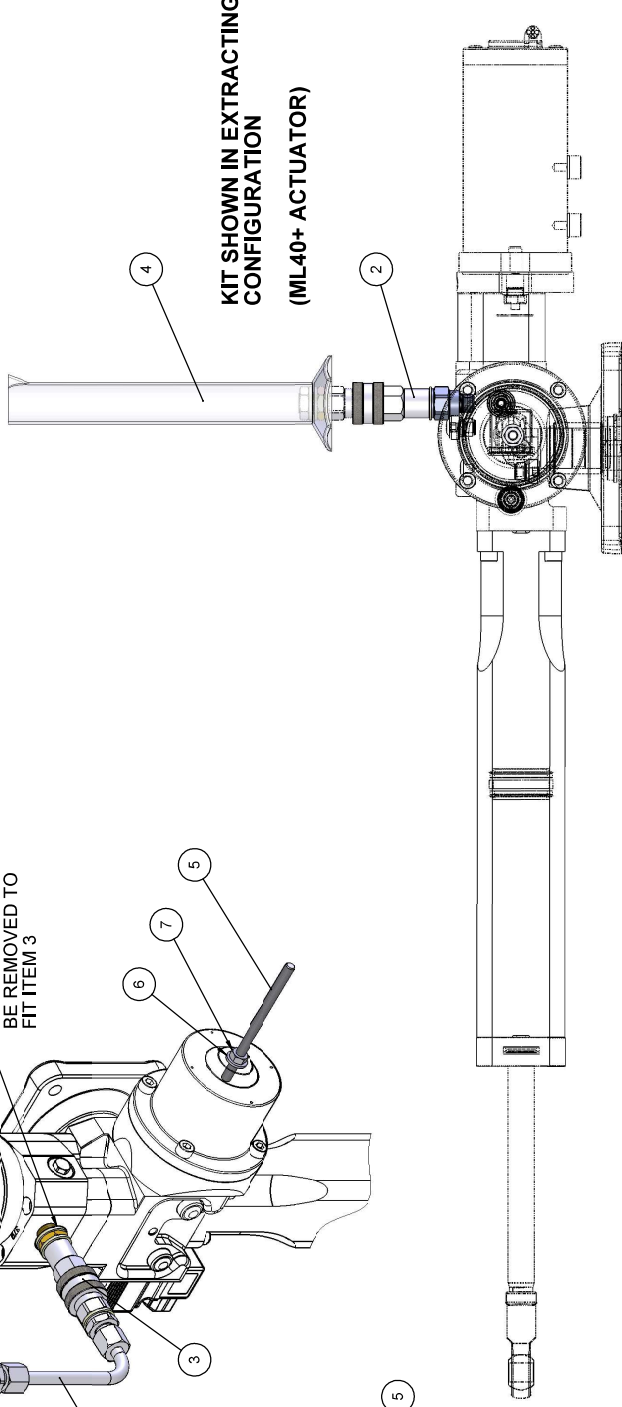


**KIT SHOWN IN FILLING CONFIGURATION:
(ML+40 ACTUATOR)**

FILLER PLUG MUST BE REMOVED TO FIT ITEM 3

FILLER PLUG MUST BE REMOVED TO FIT ITEM 2

**KIT SHOWN IN FILLING CONFIGURATION:
(ML40+ ACTUATOR)**



**KIT SHOWN IN EXTRACTING CONFIGURATION
(ML40+ ACTUATOR)**

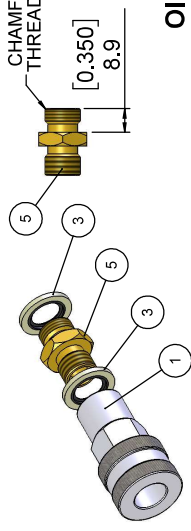
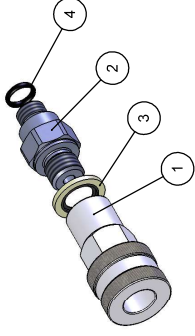
SEE SHEET 2 FOR ITEM 1, 2 & BOMS

ITEM NO.	DRG NO	PART NO	DESCRIPTION	STOCK CODE	FOR ACTUATOR TYPE	
					ML+40 \ ML40	ML40+
1	R4051-a Sht 2	R4051.01-a	FILLING KIT TOP UP TANK ASSEMBLY	NOT STOCKED	1	1
2	R4051-a Sht 2	R4051.02-a (ML40+)	FILLING KIT CONNECTION ASSY	NOT STOCKED	-	1
3	R4051-a Sht 2	R4051.02-a (ML+40 / ML40)	FILLING KIT CONNECTION ASSY	NOT STOCKED	1	-
4	R4051-a Sht 2	R4051.03-a	OIL EXTRACTION MEASURING CYLINDER ASSY	NOT STOCKED	1	1
5	R4091	*	RESERVOIR PISTON RETRACTION STUD	040910	1	1
6	B3018	B3018S06NC	M6 A2 STAINLESS STEEL WASHER BS4320 FORM C	003025	1	1
7		B3009.06S2	M6 A2 STAINLESS HEX NUT	B03160	1	1

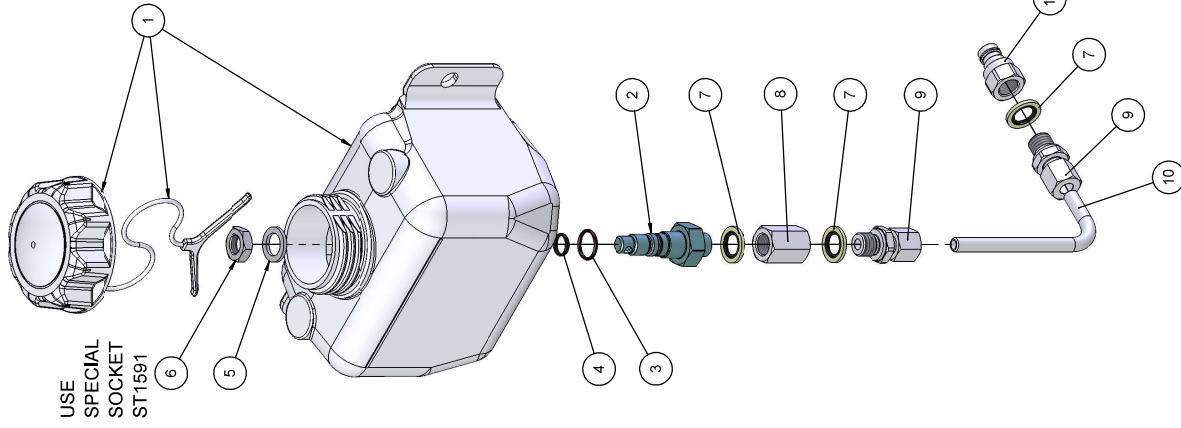
RELEASED DRAWING
 PROVISIONAL - DRAWING FOR REVIEW ONLY NOT FOR MANUFACTURING PURPOSES
 PRELIMINARY - DRAWING FOR SMALL BATCHES
 RELEASED - DRAWING FOR PRODUCTION BATCHES

PART NO: R4051.02-a (ML40+)
FILLING KIT CONNECTION ASSY

PART NO: R4051.02-a (ML+40 / ML40)
FILLING KIT CONNECTION ASSY
SHORTEN ADAPTER AS SHOWN



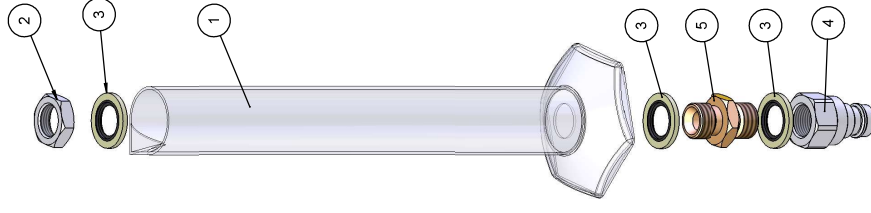
PART NO: R4051.01-a
FILLING KIT TOP UP TANK ASSEMBLY



USE
 SPECIAL
 SOCKET
 ST1591

PART NO: R4051.03-a
OIL EXTRACTION MEASURING CYLINDER ASSY

ITEM NO.	DRG NO	PART NO	DESCRIPTION	STOCKCODE	R4051.03-a
1	R4090	*	OIL EXTRACTION MEASURING CYLINDER	040901	1
2		B&H 00251	G1/4 NUT	002004	1
3	B1004	B1004.9821	G1/4 BONDED SEAL SC	V05000 or 000760	3
4		297-5007 (RS)	G1/4 QUICK RELEASE COUPLING - MALE HALF	002051	1
5	B2010	B2010G2G2	BSPP G1/4 x G1/4 MALE ADAPTOR - BS5200	002022	1



CONNECTION ASSEMBLY

ITEM NO.	DRG NO	PART NO	DESCRIPTION	STOCKCODE	ML40+	ML+40 \ ML40
1		297-5013 (RS)	G1/4 QUICK RELEASE COUPLING - FEMALE HALF	002050	1	1
2	R4056	*	ML40+ FILLING ADAPTER	040560	1	-
3	B1004	B1004.9821	G1/4 BONDED SEAL SC	V05000 or 000760	1	2
4		200-904-4490	200-904-4490	V02977	1	-
5	B2010	B2010G2G2	BSPP G1/4 x G1/4 MALE ADAPTOR - BS5200	002022	-	1

TOP UP TANK ASSEMBLY

ITEM NO.	DRG NO	PART NO	DESCRIPTION	STOCKCODE	R4051.01-a
1	R4316	*	HS+ TANK & CAP SET (MODIFIED)	043090	1
2	R4309	*	RESERVOIR CONNECTION FITTING	043100	1
3		200-015-4485	O RING	000570	1
4		200-012-4485	O RING	000540	1
5	B3005	B3005C12ZS	WASHER ISO7092 M12 : CARBON STEEL + ZINC PLATE	B03185	1
6	B3002	B3002.12Z	LOCKNUT ISO4035 M12 : ZINC PLATED	B03180	1
7	B1004	B1004.9821	G1/4 BONDED SEAL SC	V05000 or 000760	3
8		B&H 002000	G1/4 FEMALE G1/4 FEMALE ADAPTER	002002	1
9		GEV8-LR	8mm OD X G1/4 STUD COUPLING	B12730	2
10	R4089	*	ML40+ FILLING KIT PIPE	040890	1
11		297-5007 (RS)	G1/4 QUICK RELEASE COUPLING - MALE HALF	002051	1

Hy-Pro
 motion and control solutions

© 2011
 DOCUMENT: hydro.afedw

TOLERANCES UNLESS OTHERWISE STATED
 DIMENSIONS IN mm
 DECIMAL 0.01 ±0.025mm
 FRACTIONAL 1/16 ±0.015mm
 HOLE DIA ±0.010mm
 REFER BS5358 PARTS 1 TO 3
 ALL DIMENSIONS IN mm

MATERIAL
 SEE BOM

TREATMENT
 N/A

HYPRO MANUFACTURING QUALITY STANDARDS APPLY
 HYDRAULIC PROTECTANTS TO O-RINGS
 www.hypro.co.uk enquiries@hypro.co.uk

DESCRIPTION
 ML+40 / ML40+ / ML40 FILLING KIT

STOCK CODE
 NOT STOCKED

SHEET SCALE
 1:3
 APPLY SCALE WHEN PRINTED AS

DRG NO
 R4051-a

ISSUE
 Sheet 2 of 3