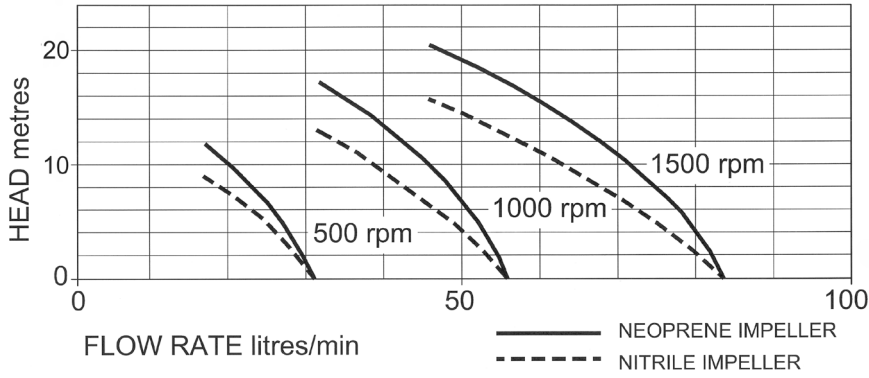


PERFORMANCE:

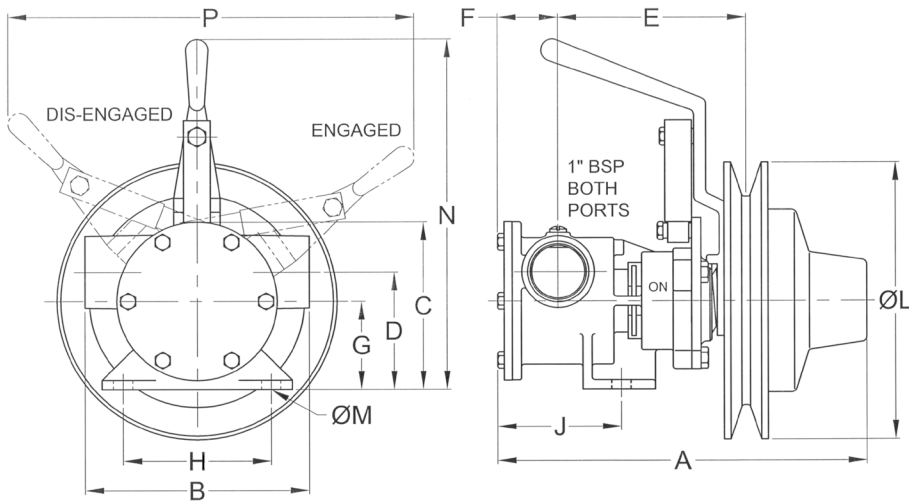


MODEL	Maximum flow rate		Maximum head	
	l/min	gall/min	metres	feet
51080-2**1	82	18	20	65
51080-2**3	82	18	18	59

Max Power absorbed 550 watt at 1500rpm

DIMENSIONS:

WEIGHT: 5 Kg



A	B	C	D	E	F	G	H	J	L	M	N	P
198	120	91	64	101	32	48	79	67	Ø150	Ø10	189	218

MATERIALS OF CONSTRUCTION:

Body	Bronze
Impeller	Neoprene or oil resistant Nitrile
Wearplate	Replaceable
Shaft	Stainless steel type 316
Shaft seal	Lip type
Bearings	Twin row, ball type
Port type	1" BSP to BS21 (DIN2999)
Clutch type	Manual – Self adjusting
Pulley	150mm dia A or B section

MODELS:

- 51080-2001 Neoprene Impeller
- 51080-2003 Nitrile Impeller
- 51080-2021 Neoprene Impeller, High pressure



a xylem brand

BRONZE FLEXIBLE IMPELLER - MANUAL CLUTCH

51080 SERIES



PUMP with (Lip Seal) 1" BSP PORTS

- * Constructed from marine quality bronze and stainless steel
- * Self-prime from dry up to 2.4m
- * Easy to service and maintain
- * Will tolerate abrasive wear
- * Handles hard and soft solids without clogging
- * Can pump in either direction
- * Will not airlock

Xylem Water Solutions UK Ltd
 Bingley Road
 Hoddesdon
 Hertfordshire • EN11 0BU UK

Tel: +44 (0)1462 480380
 Fax: +44 (0)1462 482422
 mail@cleghorn.co.uk
 www.jabscoshop.com

