



PREMIUM

CMSP

MARINE COAXIAL SPEAKERS

POSITION:

Exceptional audio quality, built for true marine environments, with optional built-in RGB LED lighting.



Premium Marine Coaxial Speakers:



NEW! CMSP-651-SWG:

6.5-inch Marine Coaxial Speakers with 1-inch (25 mm) Silk Dome Tweeters, White & Gunmetal Sport Grilles, 50W RMS, 4 ohms



NEW! CMSP-651RGB-SWG:

6.5-inch Marine Coaxial Speakers with 1-inch (25 mm) Silk Dome Tweeters, White & Gunmetal Sport Grilles, built-in RGB LED lighting, 50W RMS, 4 ohms



NEW! CMSP-771RGB-SWG:

7.7-inch Marine Coaxial Speakers with 1-inch (25 mm) Silk Dome Tweeters, White & Gunmetal Sport Grilles, built-in RGB LED lighting, 60W RMS, 4 ohms

SELLING POINTS:

#1 Salt & Sun Certified

- All models are built to exceed industry standards for salt-fog/UV exposure (ASTM B117/D4329) and shock/vibration resistance, ensuring durability in harsh marine environments.

#2 Engineered for Superior Marine Sound

- Injection-molded woofer cone bodies and marine-grade suspension components, for superior sound and reliability
- Bridge-mounted, edge-driven, silk dome tweeters with neodymium magnets and ferrofluid cooling for outstanding, high-frequency detail
- 2nd order, high-pass tweeter filters, integrated within the woofer baskets
- Standard cutout size and mounting hole pattern for easy retrofitting.

#3 Flexible Power Requirements

- Great for source unit-powered systems and even better when used with Clarion Marine amplifiers

#4 Modern Looks, Includes Both Colors!

- White and Gunmetal "Sport" grilles are included with each speaker.
- Allows you to coordinate the look of the speakers with your boat's theme.

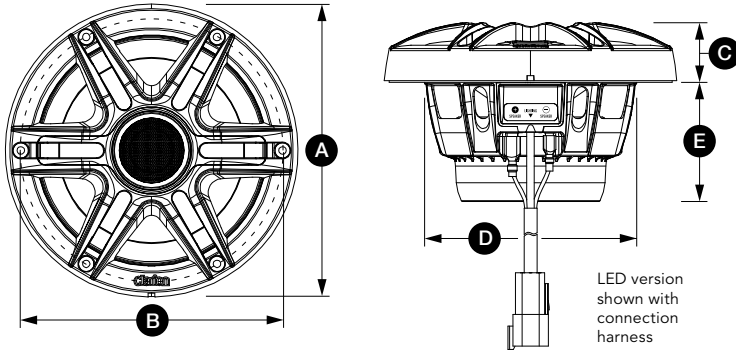
#5 Built-In RGB LED Lighting (Optional Feature)

- Available on Sport grille models, multi-color LEDs are embedded and concealed from direct sight to produce lively accent lighting.
- Choose from seven fixed LED colors or connect a RGB lighting controller (sold separately) for adjustable control. (LED functionality requires 12V DC wiring at each speaker location.)





TECHNICAL INFORMATION:



LED version shown with connection harness

Included Components and Parts:

- Two Marine Coaxial Loudspeakers
- Two White Sport Speaker Grilles
- Two Gunmetal Sport Speaker Grilles
- Two 2nd Order High-Pass Filters (integrated within woofer baskets)
- Twelve M4 x 30 mm Stainless-Steel Mounting Screws
- Two Waterproof Connection Harnesses (LED version only)
- Mounting Template
- Owner's Manual

Optional RGB LED Illumination:

LED functionality requires separate wiring at each speaker location. Choose from seven fixed LED colors or connect an RGB lighting controller (sold separately) for adjustable control.

Physical Specifications	CMSP-651-SWG	CMSP-651RGB-SWG	CMSP-771RGB-SWG
Nominal Diameter	6.50 in. / 165 mm		7.70 in. / 196 mm
Outer Diameter (A)	6.90 in. / 175 mm		7.70 in. / 196 mm
Bolt Hole Circle (B)	6.14 in. / 156 mm		6.92 in. / 176 mm
Frontal Grille Protrusion* (C)	1.36 in. / 35 mm		1.53 in. / 39 mm
Mounting Hole Diameter (D)	5.00 - 5.25 in. / 127 - 133 mm		6.25 in. / 159 mm
Mounting Depth (E)	2.83 in. / 72 mm		3.07 in. / 78 mm

* Frontal grille protrusion measured from mounting surface

Specifications	CMSP-651-SWG	CMSP-651RGB-SWG	CMSP-771RGB-SWG
Mounting Application	Infinite Baffle		
Continuous Power Handling (RMS Method)	50 Watts / channel		60 Watts / channel
Peak Power	100 Watts / channel		1200 Watts / channel
Recommended Amplifier Power	30 - 100 Watts / channel		40 - 120 Watts / channel
Frequency Response	55 Hz - 20 KHz (± 3 dB)		45 Hz - 20 KHz (± 3 dB)
Efficiency @ 1W/1m	87 dB		88 dB
Nominal Impedance	4 ohms		

Due to ongoing product development, all specifications are subject to change without notice.

SPEAKER CONNECTIONS

Terminal	Connection
+	Speaker Positive (+)
-	Speaker Negative (-)

RGB LED HARNESS WIRING

RGB LED Wire Color	Wire Size	Connection
Red	26 AWG	Red LED Negative (-)
Green		Green LED Negative (-)
Blue		Blue LED Negative (-)
Yellow		Main LED Positive (+12V)

FIXED 7-COLOR LED WIRING

LED Color Output	LED Wire Color(s)	Connection
Red	Red	Connect wire(s) to negative (-) battery post or negative ground.
Green	Green	
Blue	Blue	
Yellow	Red + Green	
Pink	Red + Blue	
Light Blue	Green + Blue	
White	Red + Green + Blue	

Connect all Yellow (+12V) LED wires to a switched +12V supply.

RGB LED SPECIFICATIONS

Specification	CMSP-651RGB-SWG CMSP-771RGB-SWG
LED Current Draw at 14.4V DC	140 mA
Recommended Fuse Value*	250 mA
LED Voltage Range	10 - 14.4V DC

* For short-circuit protection, install a fuse (not included) at each speaker's Yellow (+12V) LED power connection lead.