

TM260

NEW



Powerful, Yet Sensitive!

The new TM260 takes the legendary performance of the B260 to your vessel's transom. This top-of-the-line broadband transom-mount brings crystal clear imaging to any of today's fishfinders. The large 200 kHz element and the seven-element 50 kHz array are excellent for bait and game fish separation along with detecting ground fish holding tight to the bottom. The TM260's high-performance mounting bracket is easy-to-install and has a streamlined shape that delivers high-speed performance up to 30 knots (35 MPH).

1 kW Broadband Transom-Mount Transducer

Fishing Applications

- Blue-water trolling using 50 kHz
- Deep-water bottom and wreck fishing up to 800 m (2,625')

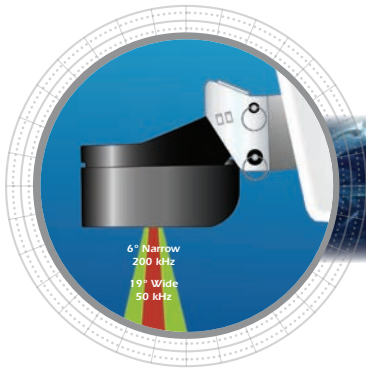
Features

- Top-of-the-line narrow-beam transom-mount
- Designed for bottom fishing
- Wide 19° beam at 50 kHz
- Narrow 6° beam at 200 kHz
- For larger trailered boats 8 m to 12 m (25' to 40') with outboards and I/O's
- Interfaces to any 600 W or 1 kW sounder
- Depth and new fast-response water-temperature sensor
- Kick-up assembly locks in the "up" position and will not damage the transom
- Accommodates transom angles between 3° and 21°
- Urethane housing





Sensing Technology

www.airmar.com



Technical Information

50 kHz-AE / 200 kHz-BH

Number of Elements and Configuration		
Beam Width (@-3 dB)	19°	6°
RMS Power (W)	1 kW	1 kW
TVR	162 dB	175 dB
RVR	-173 dB	-183 dB
FOM	-14	-10
Q	8	8

MAXIMUM DEPTH RANGE

50 kHz	200 kHz
529 m to 735 m (1,800' to 2,500')	206 m to 294 m (700' to 1,000')

BEAM DIAMETER VS DEPTH

Depth	50 kHz	200 kHz
9 m (30')	3 m (10')	0.9 m (3')
30 m (100')	10 m (34')	3.3 m (11')
122 m (400')	41 m (134')	13 m (42')
305 m (1,000')	102 m (335')	32 m (105')

TRANSDUCER COMPARISON

Model	Power	Rating	Performance Increase
P66	600 W	Good	Benchmark model for comparison
TM258	1 KW	Better	25 times more sensitive at 50 kHz 16 times more sensitive at 200 kHz
TM260	1 KW	Superb	50 times more sensitive at 50 kHz 13 times more sensitive at 200 kHz

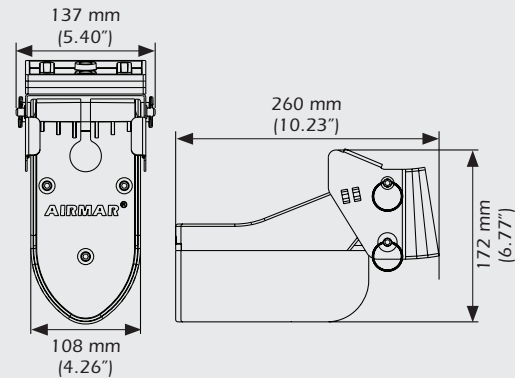
Due to the wide beams of the P48W and TM270W, they have been omitted from the table.

SPECIFICATIONS

Weight: 4 kg (8.9 lb)
Hull Deadrise: Up to 28°
Acoustic Window: Urethane

DIMENSIONS

TM260 Housing



TM260 Transducer

