

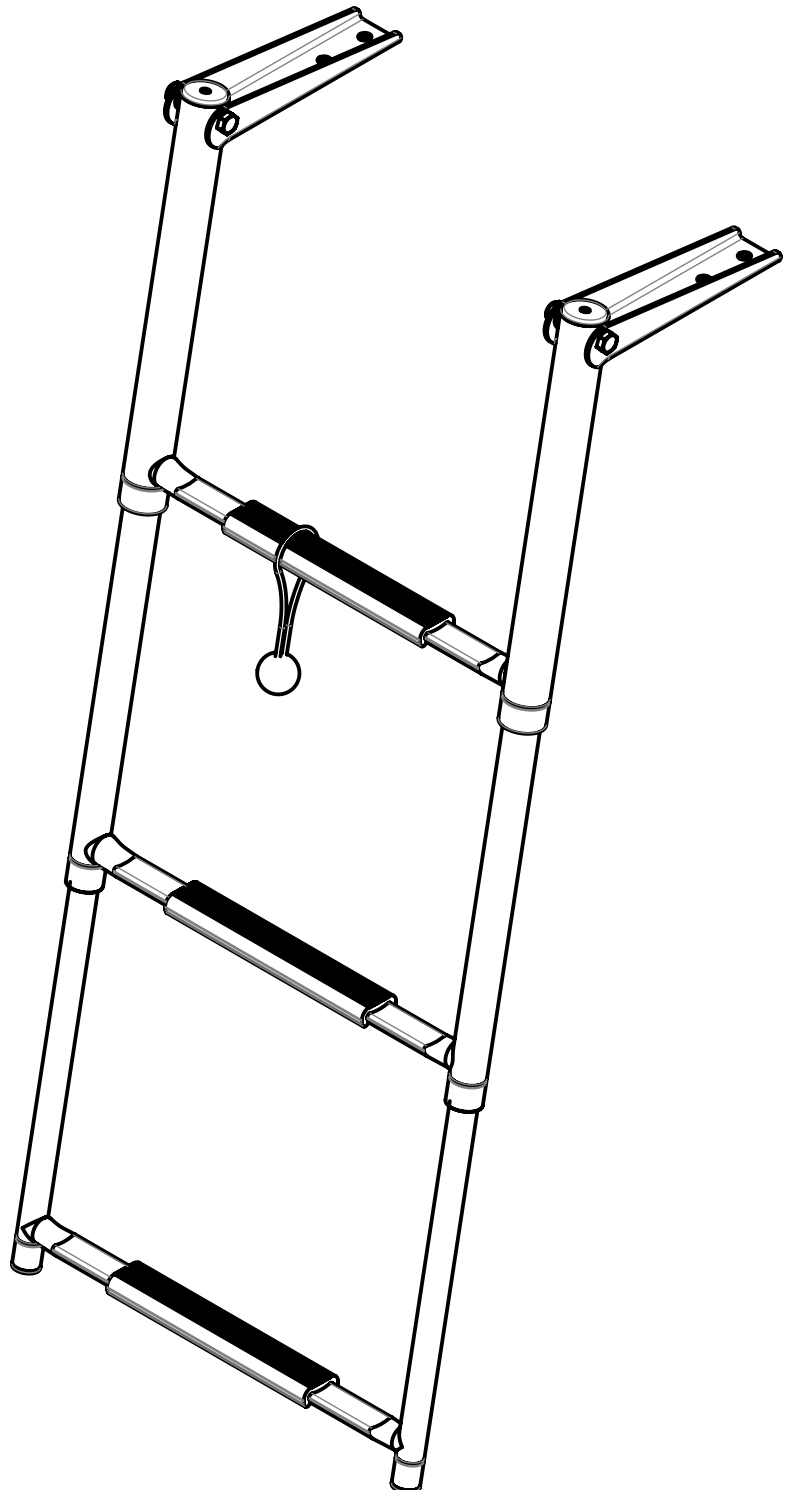
## Swim ladder, SS316, 3 steps with synthetic black grips, telescopic transom mounted

### MAIN PRODUCT MATERIALS:

- METAL PARTS MADE FROM MIRROR POLISHED STAINLESS STEEL
- SYNTHETIC BLACK RINGS AND END CAPS
- ELASTIC BLACK CORD, TO KEEP THE STEPS IN A RETRACTED POSITION

### MAIN SPECIFICATIONS:

- 270 DEG. ROTATABLE STAIRS
- 895 mm EXTENDABLE TELESCOPIC TUBES (TOTAL LENGTH)
- STEPS COVERED WITH BLACK SYNTHETIC GRIPS
- MAXIMUM LOAD = 300kg



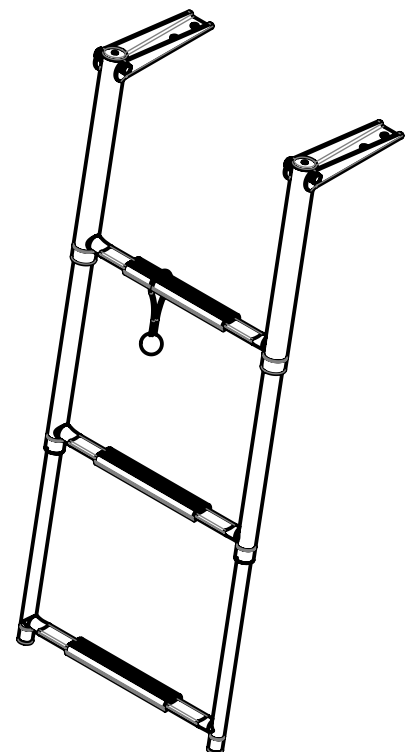
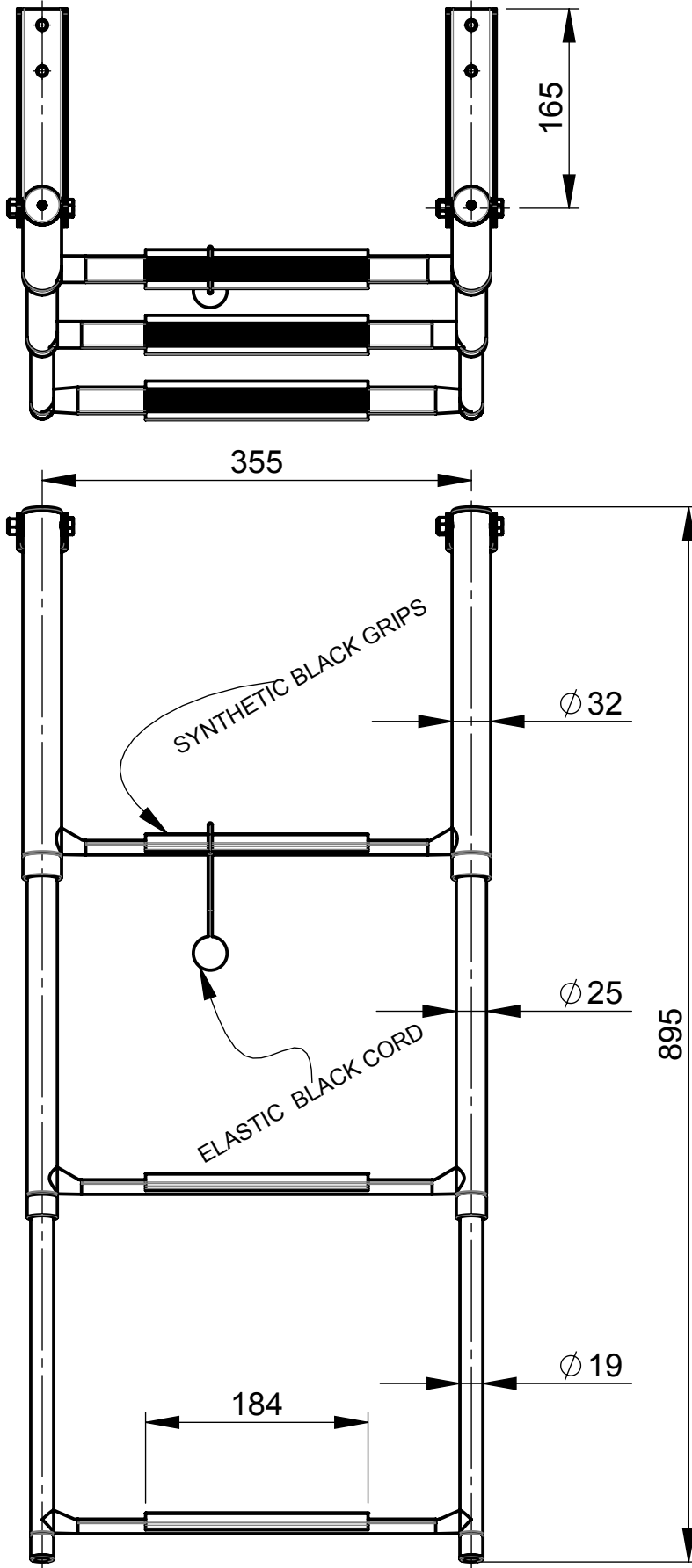


# Overall Dimensions

18-15506

SLT3AW

Swim ladder, SS316, 3 steps with synthetic black grips, telescopic transom mounted



- RETRACTED LENGTH: 375mm